

ALVA

21013 | 21015
21014 |

oktaplex
lighting



DE - Montageanleitung

FR - Instructions de montage

ES - Instrucciones de montaje

IT - Istruzioni per il montaggio

NL - Montage-instructies

SE - Monteringsanvisningar

CZ - Návod k montáži

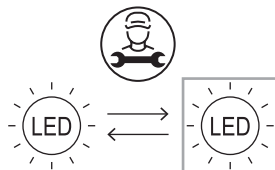
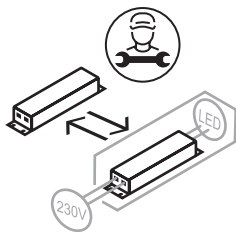
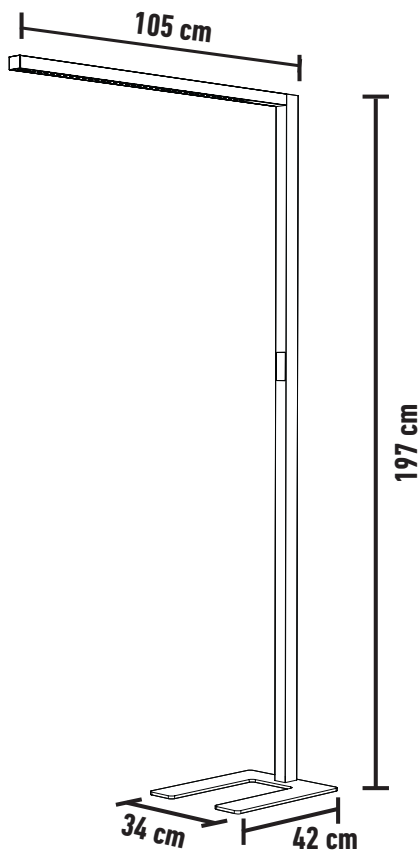
SK - Návod na montáž

RO - Instrucțiuni de montaj

PL - Instrukcje montażu

GB - Mounting instructions

PT - Instruções de montagem



ALVA

LED Stehleuchte mit Bewegungsmelder für Innen / Lampadaire LED avec détecteur de mouvement pour l'intérieur / Lámpara de pie LED con detector de movimiento para interiores / Lampada da terra a LED con rilevatore di movimento per interni / LED vloerlamp met bewegingsmelder voor binnen / LED-golvlampa med rörelsedetektor för inomhusbruk / Stojací lampa LED s detektorem pohybu do interiéru / Stojacia lampa LED s detektorom pohybu do interiéru / Lampă de podea LED cu detector de mișcare pentru interior / Lampa podłogowa LED z czujnikiem ruchu do wnętrz / LED floor lamp with motion detector for indoors / Candeeiro de pé LED com detetor de movimento para interior

Nennspannung / Tension nominale / Tensión nominal / Tensione nominale / Nominaal voltage / Märkspänning / Jmenovitá napětí / Menovitá napätie / Tensiunea nominală / Napięcie nominalne / rated voltage / Tensão nominal

AC 220-240 V
50-60Hz

Nennleistung / Puissance nominale / Potencia nominal / Potenza nominale / Nominaal vermogen / Märkeffekt / Jmenovitý výkon / Menovitý výkon / Putere nominală / Moc znamionowa / rated power / Potência nominal

80 W

Lichtleistung / Puissance lumineuse / Potencia luminosa / Potenza luminosa / Lichtrendement / Ljustflöde / Světelný výkon / Svetelný výkon / Producția de lumină / Moc światła / Light output / Saída de luz

10800 lm


Farbtemperatur / Température de couleur / Temperatura de color / Temperatura di colore / Kleurtemperatuur / Färgtemperatur / Teplota barev / Teplota farieb / Temperatura de culoare / Temperatura barwowa / Color temperature / Temperatura de cor


2700K-5700K

Farbwiedergabeindex / Ra / IRC / CRI / Index farebného podania

Ra ≥ 80

Energieeffizienzklasse / Classe d'efficacité énergétique / Clase de eficiencia energética / Classe di efficienza energetica / Energie-efficiëntieklasse / Klass för energieeffektivitet / Trieda energetickej účinnosti / Trieda energetické účinnosti / Clase de eficiență energetică / Klasa efektywności energetycznej / Energy efficiency class / Classe de eficiența energetică

lightsource up 

lightsource down 

Schutzklasse / Indice de protection / Clase de protección / Classe di protezione / Beschränkungs-klasse / Skyddsklass / Trieda ochrany / Trieda ochrany / Clasa de protecție / Klasa ochrony / Protection class / Classe de protecção

I

Schutzart / Indice de protection IP / grado de protección / Livello di protezione IP / IP mate van bescherming / IP-klasse / Stupeň ochrany / Stupeň IP ochrany / Clasa de protecție IP / Klasa ochrony IP / Protection class / Classe de protecção

IP20

Umgebungstemperatur / Température ambiante / Temperatura ambiente / Temperatura ambiente / Omgevingstemperatuur / Omgivningstemperatur / Okolní teplota / Okolná teplota / Temperatura ambiantă / Temperatura otoczenia / Ambient temperature / Temperatura ambiente

-30°C - +45°C

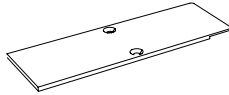
a1 2x



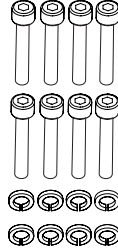
a2 2x



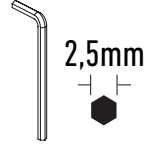
a3 1x



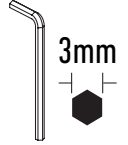
a4 8x



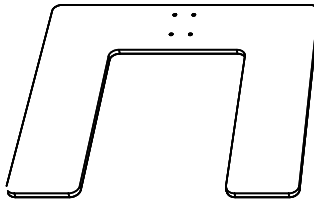
b1



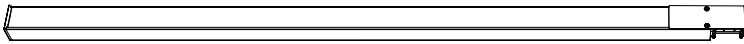
b2



1



2

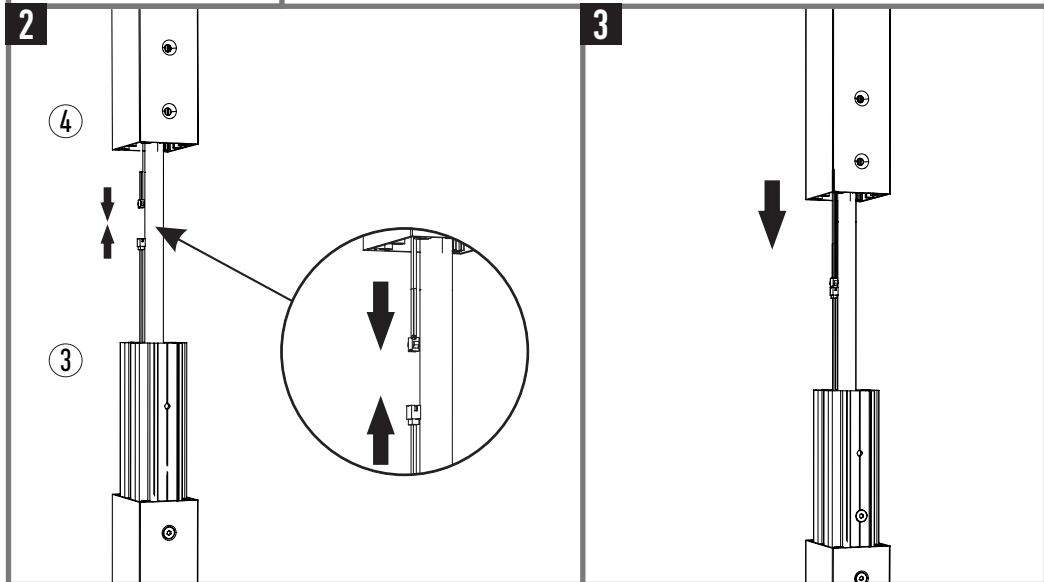
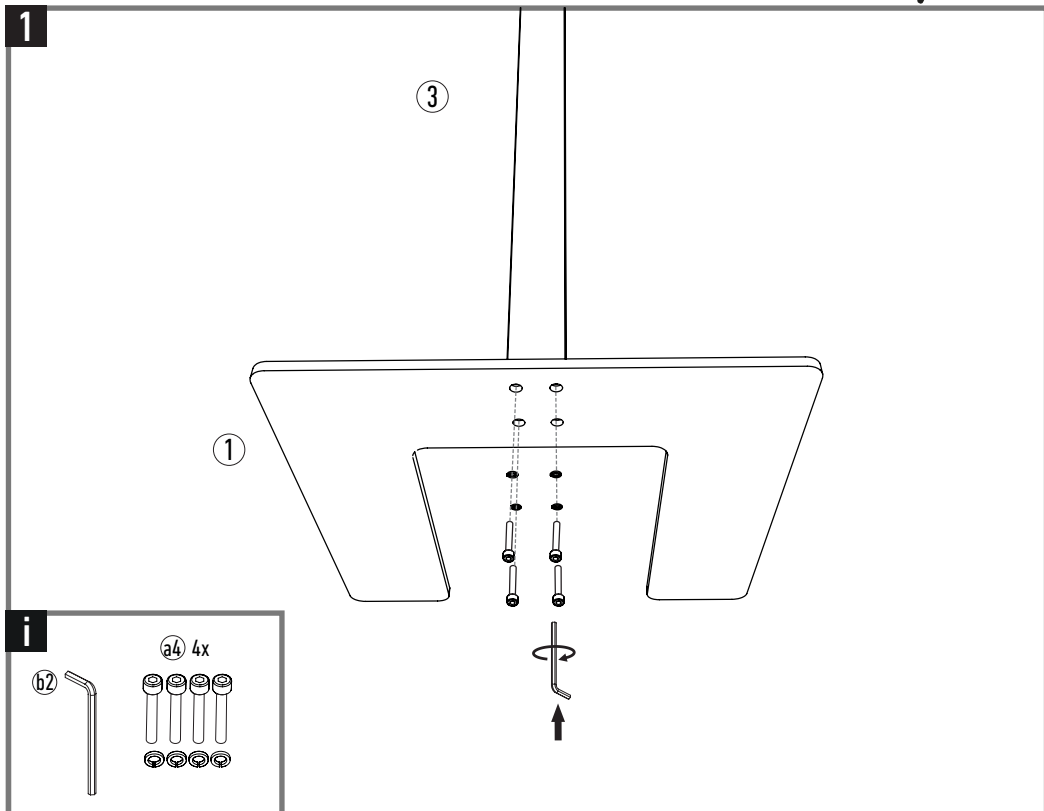


3

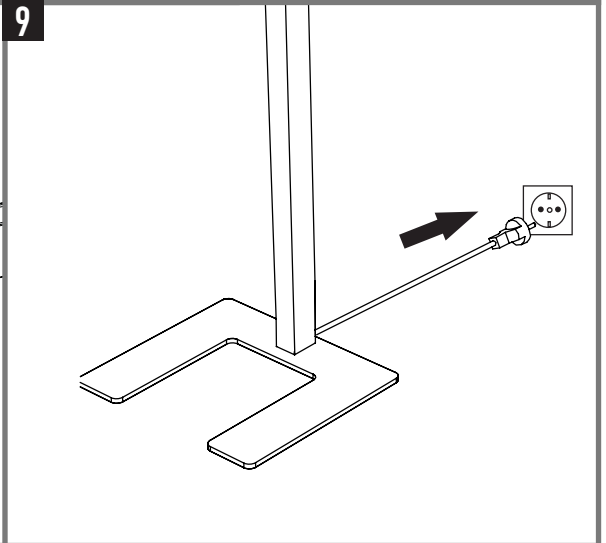
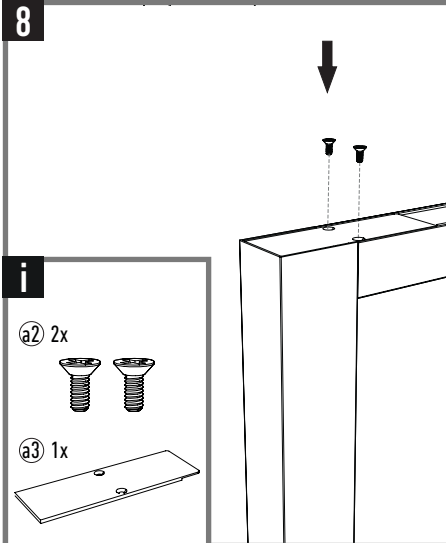
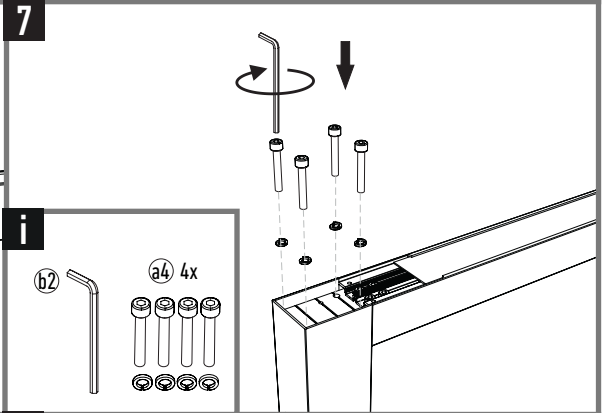
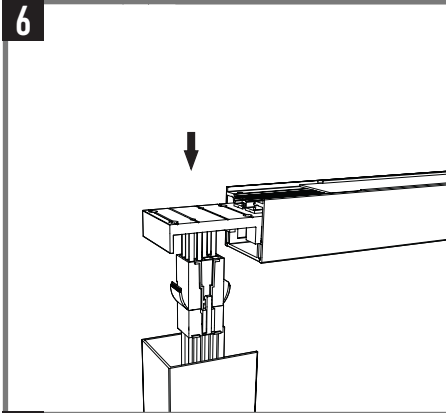
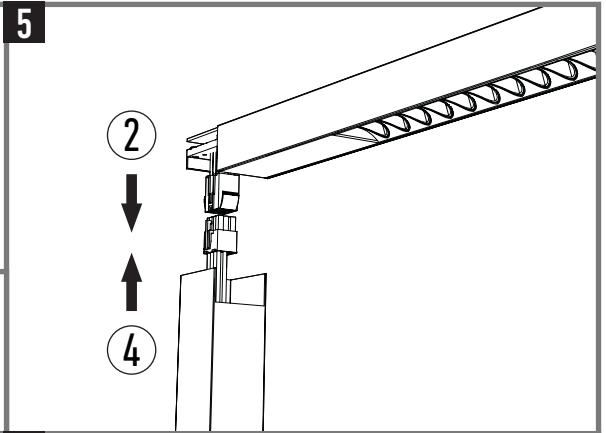
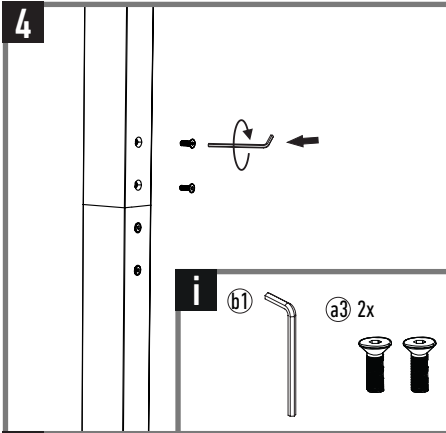
4



INSTALLATION



INSTALLATION



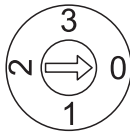
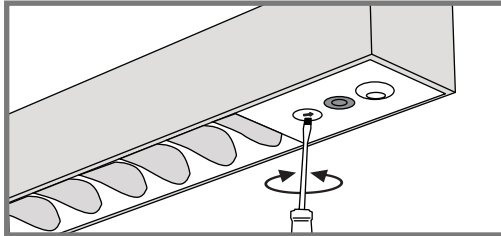


← short press to turn on/off the indirect light
long press to dim

← short press will turn light on with previous settings
long press for color change (2700K-5700K)
short press turns light off

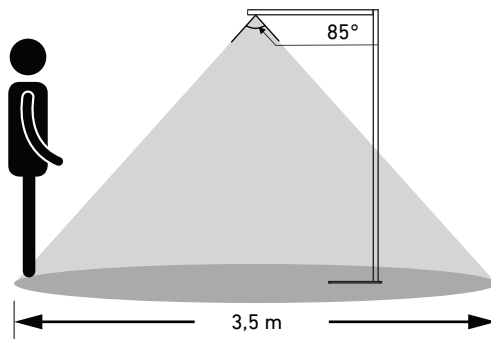
← short press to turn on/off the direct light
long press to dim

Motion & Daylight Sensor

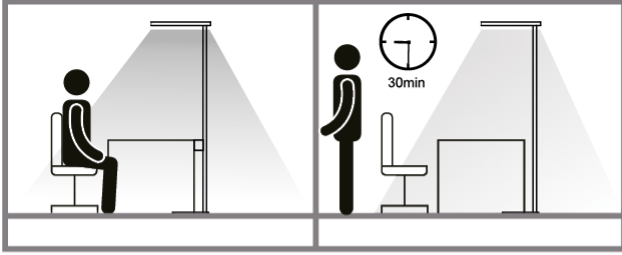


information Dip switches	Motion sensor	Daylight sensor
0	OFF	OFF
1	ON	OFF
2	ON	ON
3	OFF	ON

adjust the dip switch with a screwdriver

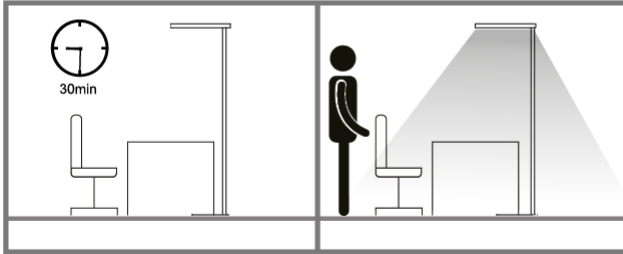


Motion Sensor



1. turn on the lamp

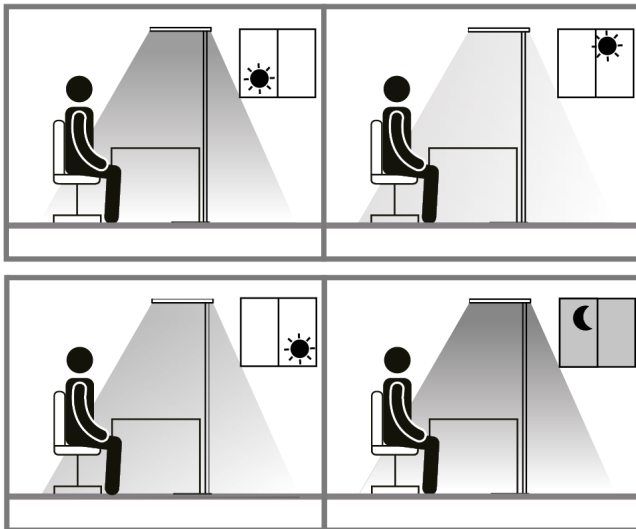
2. the brightness reduces to 30% when no presence is detected for 30 minutes



3. after another 30min without any presence detected, the lamp switches off

4. when presence is detected lamp will automatically turn on again

Daylight Sensor



1. turn on light to desired brightness, the daylight sensor will save this as standard brightness

2. when ambient brightness changes, the light will automatically adjust its brightness to the saved standard brightness

3. every time the light is manually dimmed, the sensor saves the setting as new standard brightness



WhatsApp



Points de collecte sur www.quefairedemesdechets.fr

ETAPLEX GmbH · Langerstr. 22 · 40233 Düsseldorf · Germany
+49 211 9726 4070 · info@etaplex.de · oktaplex.de